

4

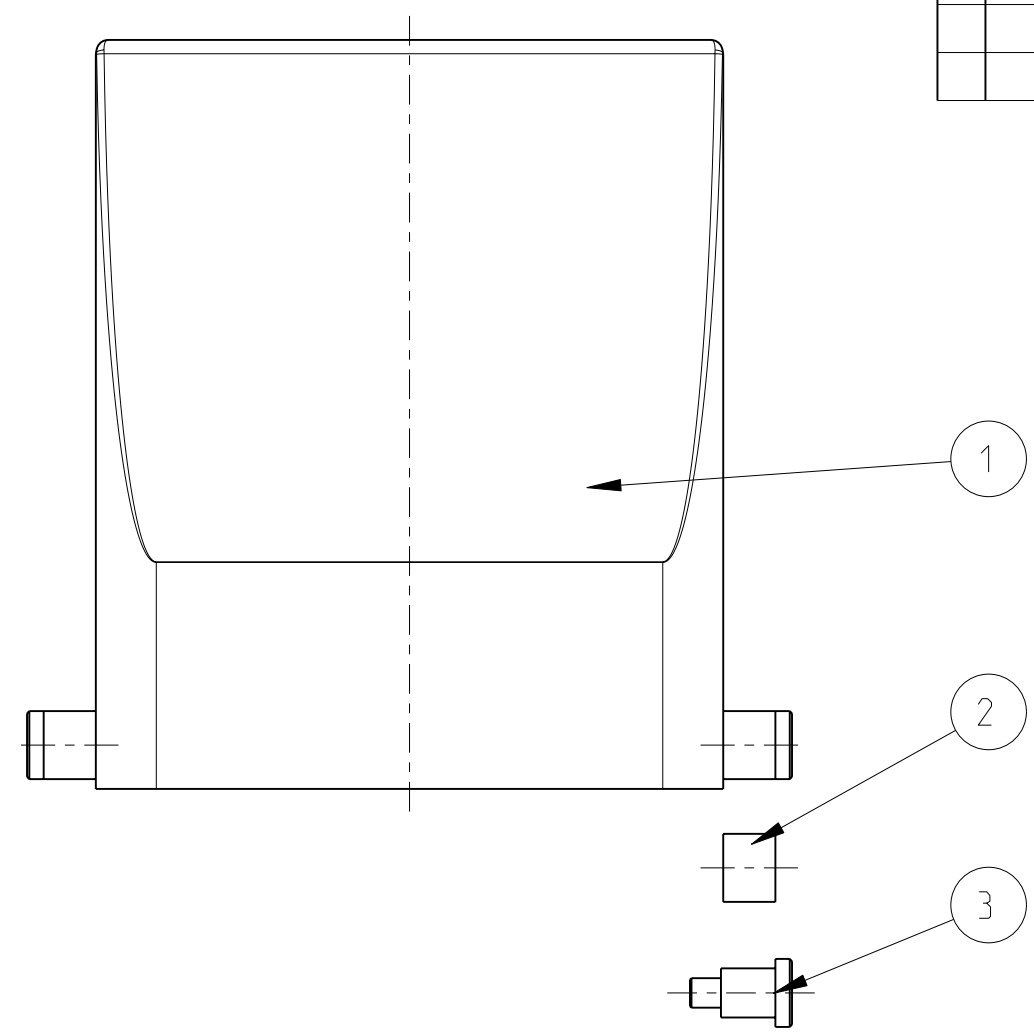
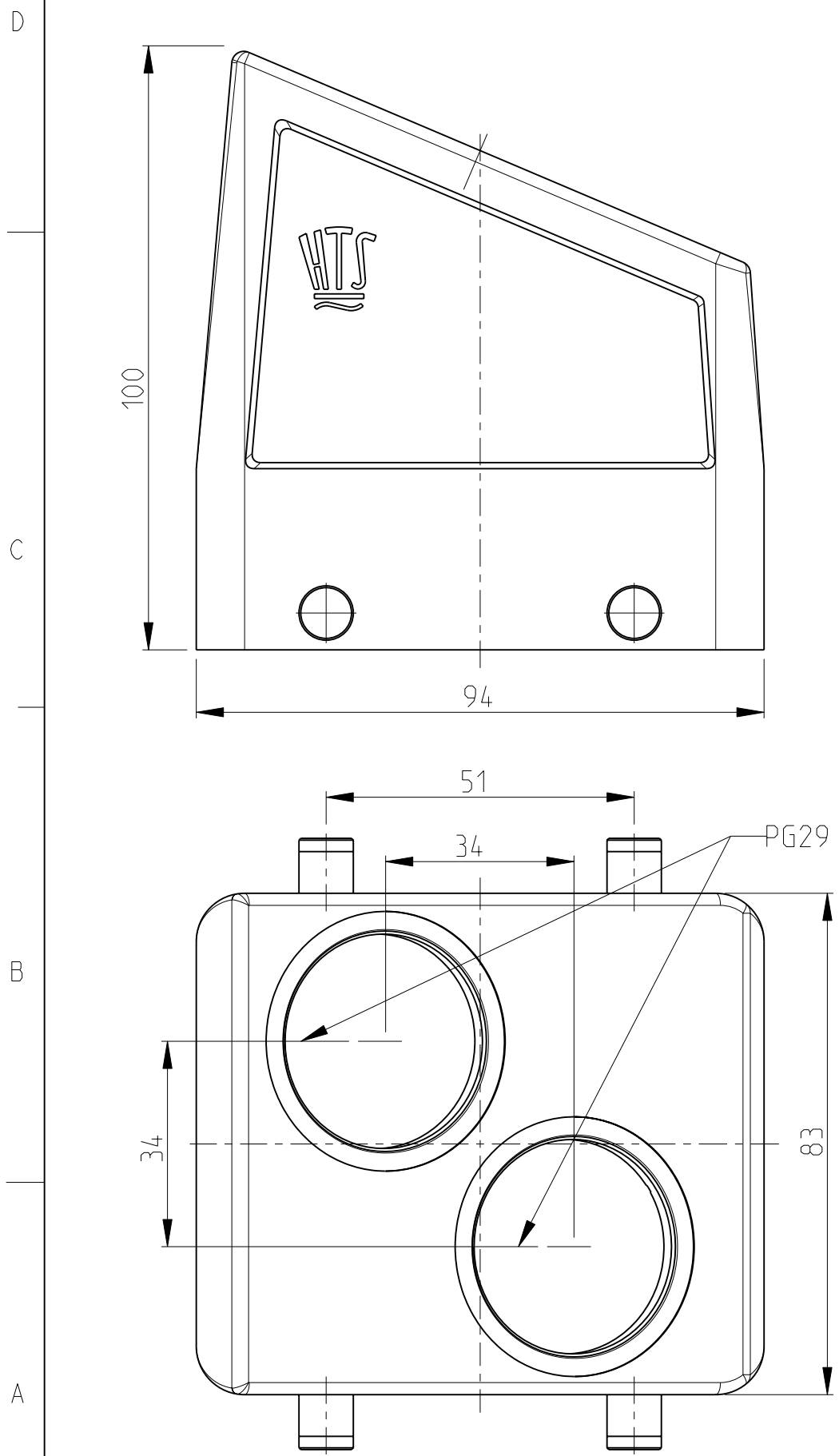
3

2

1

THIS DRAWING IS UNPUBLISHED. RELEASED FOR PUBLICATION 2006  
 © COPYRIGHT 2006 BY TYCO ELECTRONICS CORPORATION. ALL RIGHTS RESERVED.

LOC	DIST	REVISIONS			
P	LTR	DESCRIPTION	DATE	DWN	APVD
A1	-	A2	ECR-09-013545	02JUN2009	SR AR



- NOTES
- PART SHALL BE FREE AND CLEAN OF BURRS AND OTHER FOREIGN MATERIAL
  - PACKAGING: QUANTITY 3 PIECES
  - VARNISHING INSIDE HOUSING NOT REQUIRED

4	CLIP BOLT	9SMnPb28 K	ZINK PLATED		3	
4	SLIDE SPOOL	STEEL	ZINK PLATED		2	
1	HOOD	G-ALSi10Mg		GREY	1	
0-1	DESCRIPTION	MATERIAL	SURFACE	COLORE	ITEM	NOTES
HB.32.Sto-23 °-2.29.G						

<small>THIS DRAWING IS A CONTROLLED DOCUMENT FOR TYCO ELECTRONICS CORPORATION IT IS SUBJECT TO CHANGE AND THE CONTROLLING ENGINEERING ORGANIZATION SHOULD BE CONTACTED FOR THE LATEST REVISION.</small>		DWN R.SCHNEIDER 02JUN2009 CHK T.SCHNURPFEL 02JUN2009 APVD - PRODUCT SPEC - APPLICATION SPEC - WEIGHT -	tyco Electronics AMP GmbH 53757 Sankt Augustin (Germany)
DIMENSIONS: mm 	TOLERANCES UNLESS OTHERWISE SPECIFIED: 0 PLC ±- 1 PLC ±- 2 PLC ±- 3 PLC ±- 4 PLC ±- ANGLES ±1° FINISH -	NAME HOOD HB.32.Sto.2.29.G	
MATERIAL -		SIZE A3 CAGE CODE 00779 DRAWING NO. C-1102069	RESTRICTED TO - SCALE 1:1 SHEET 1 OF 1 REV A2
CUSTOMER DRAWING			